

DC HIGH VOLTAGE EV RELAY

EVD50



PERFORMANCE

ITEM	PARAMETER	
Contact Arrangement	SPST-NO	
Auxiliary Contact	--	
Voltage Rating	12-200Vdc	12-750Vdc 12-1000Vdc 12-1500Vdc
Current Rating	1-50A	
Current Endurance	50A Cont. ; 100A 10min. ; 150A 180sec. ; 200A 50sec.	
Break Current, Max (only 1 time)	500A 320Vdc	
Contact Resistance (Initial)	≤1mΩ (at 50A)	
Operate Time (at 20°C)	30ms Max.	
Bounce Time (at 20°C)	5ms Max.	
Release Time (at 20°C)	10ms Max.	
Mechanical Life (0.5s:0.5s)	2×10 ⁵ Cycles	
Electrical Life	See graph	
Current-carrying capacity curve	See graph	
Insulation resistance	Initial: 100MΩ 1000Vdc	
	After test: 50MΩ 1000Vdc	
Impulse withstand voltage (initial)	Main contact 1mA/1min.(sea level)	AC 3500Vrms
	Main contact & coil 1mA/1min.(sea level)	AC 2500Vrms AC 3500Vrms
Mechanical performance	Shock	20G peak,11ms 1/2 Sine wave (coil energized)
	Vibration	20G peak,80-2000Hz,Sine wave (coil energized)
	Strength	50G acceleration,half sine wave impulse 6ms, 50 times per axis.
Operating & Storage Condition	Ambient Temperature	-40~+85°C
	Humidity	5~95% RH.
	Altitude	≤4000m
	Weight	approx. 115g
	Certification	UL、CE、CCC

COIL DATA

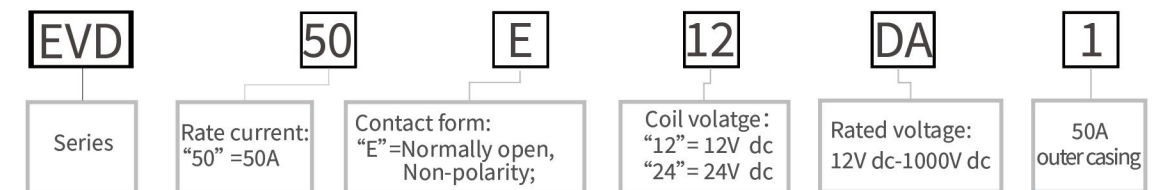
Coil Type	Nominal voltage (at 20°C)	Pick-up voltage (at 20°C)	Drop-out voltage (at 20°C)	Coil resistance (at 20°C)	Holding power (at 20°C)	Coil polarity
Single-coil	12Vdc	≤9Vdc	≥1Vdc	40Ω×(1±7%)	approx. 3.6W	non-polarized
	24Vdc	≤18Vdc	≥2Vdc	152Ω×(1±7%)	approx. 3.8W	non-polarized

DC HIGH VOLTAGE EV RELAY

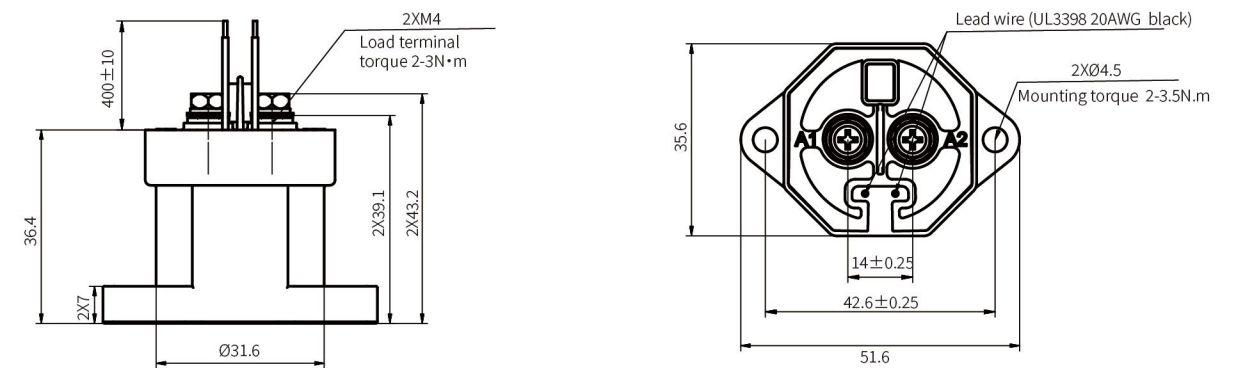
EVD50



PART CODE



DIMENSIONS



Note: 1.fastener:2xM4x8mm; 2.Mounting hardware M 4, torque 2-3.5N·m;
3.Main contact hardware M 4, torque 2-3N·m; 4.Main contact to copper area≥10mm²;

GRAPHS

